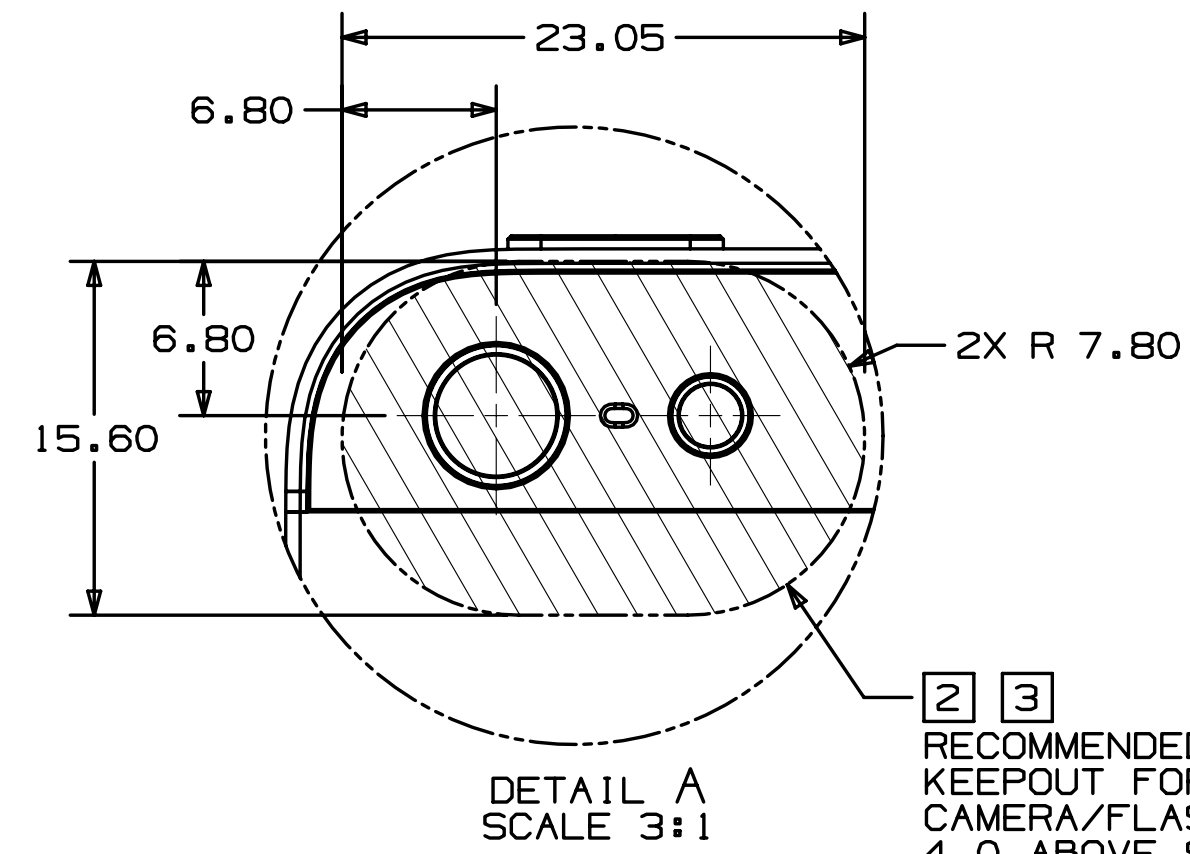
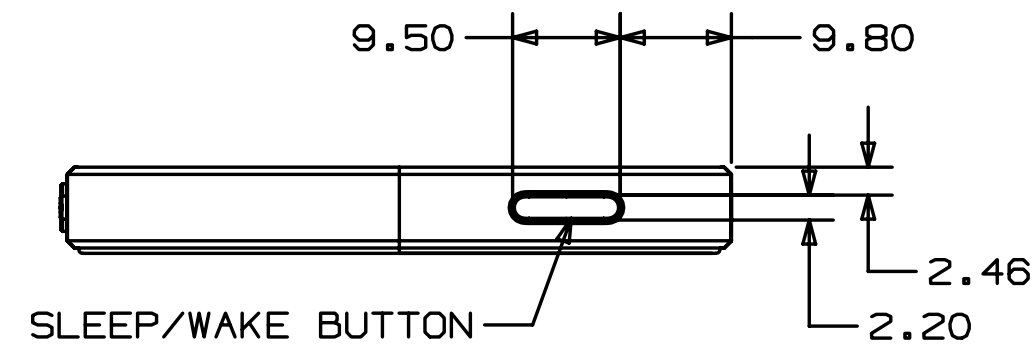
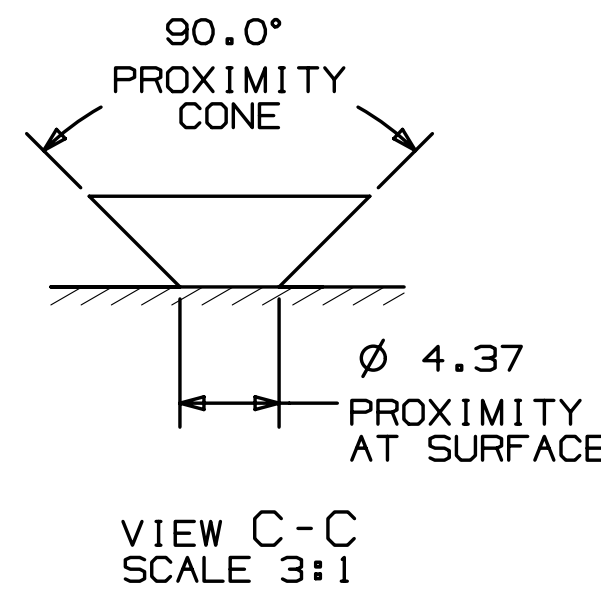
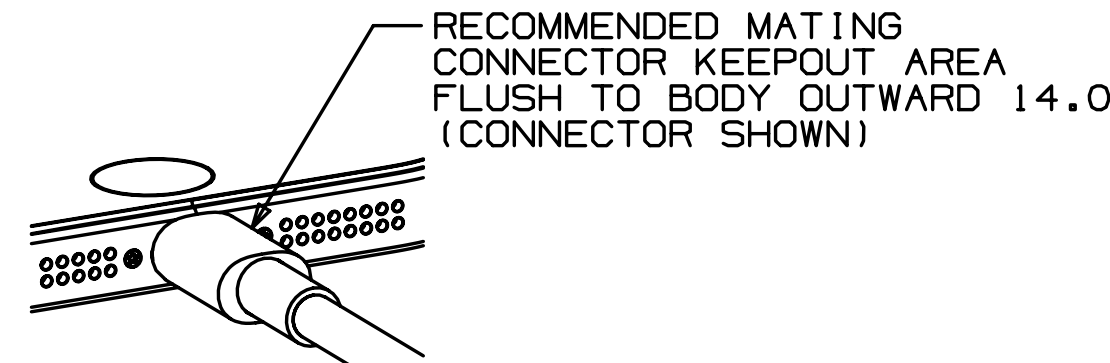
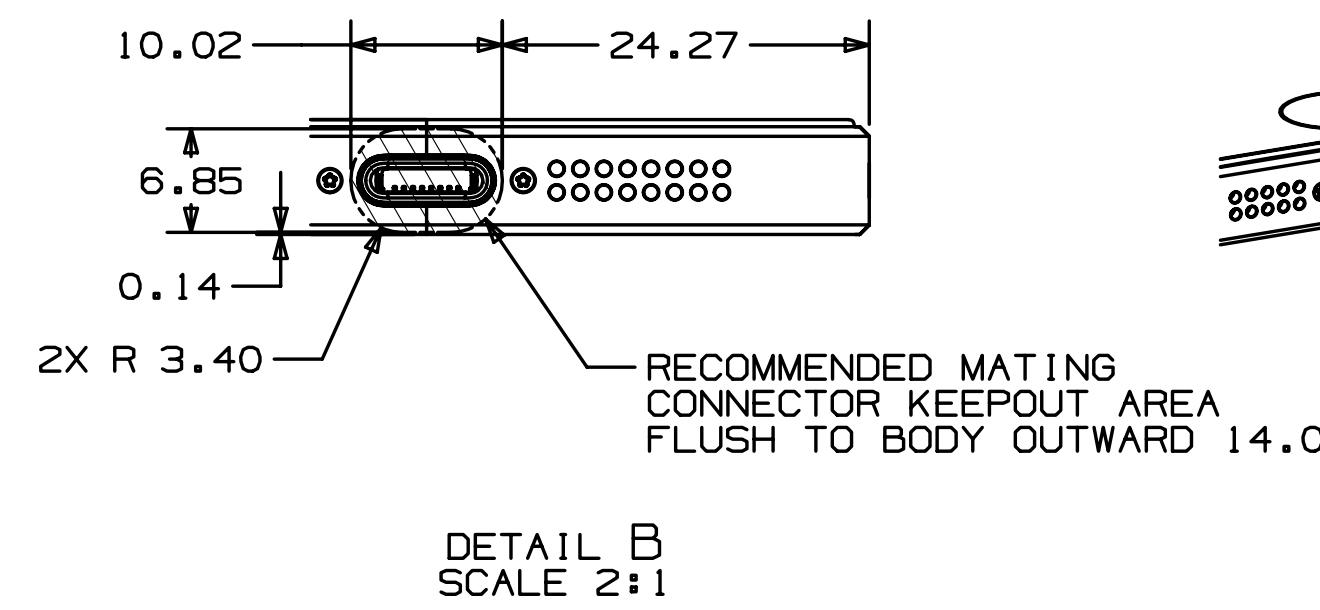
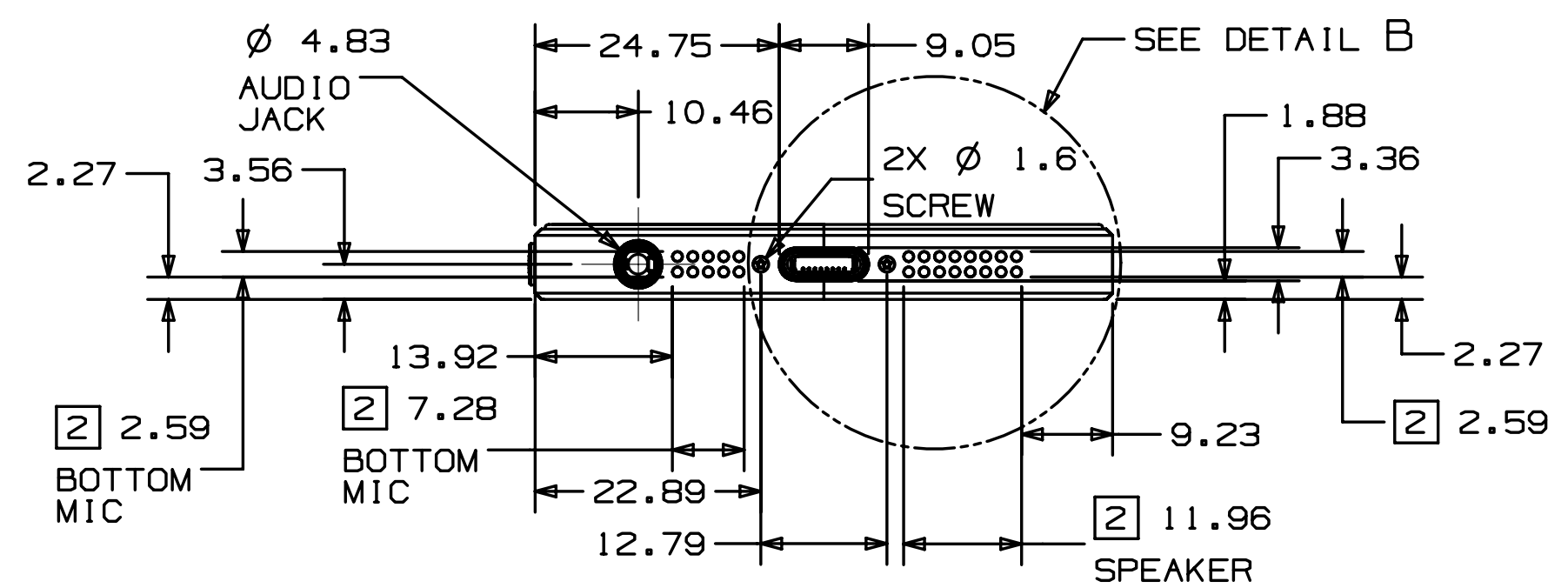
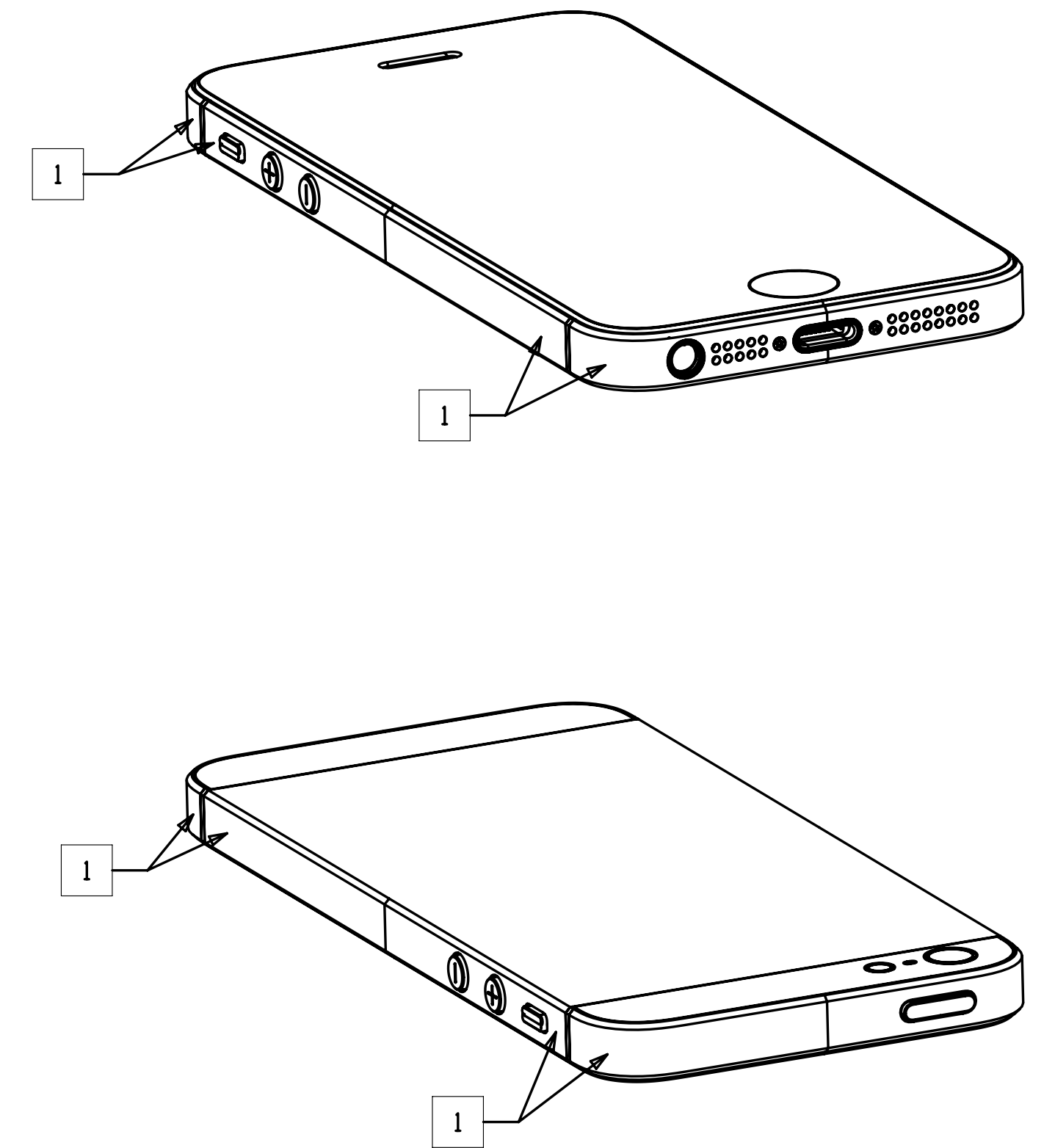
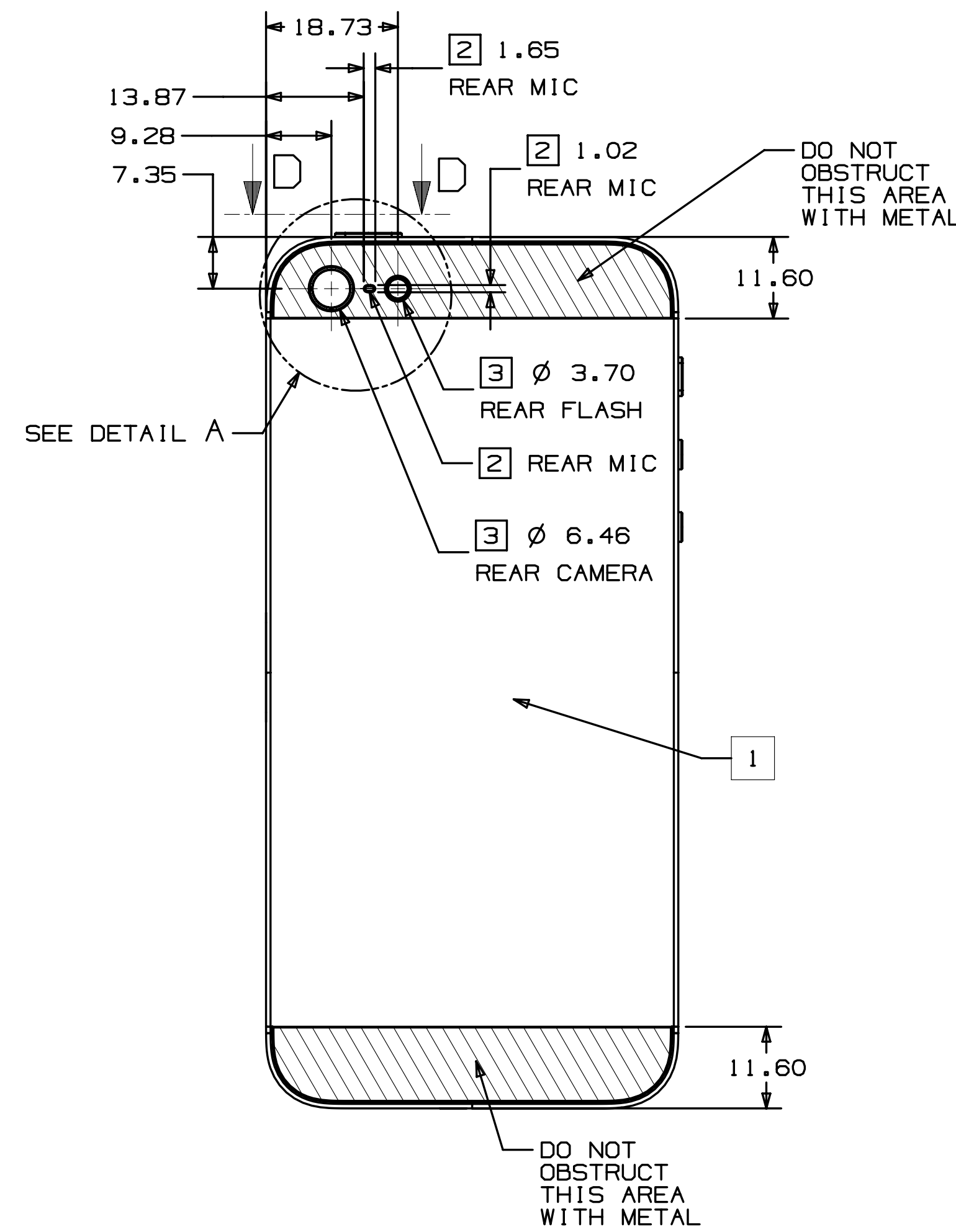
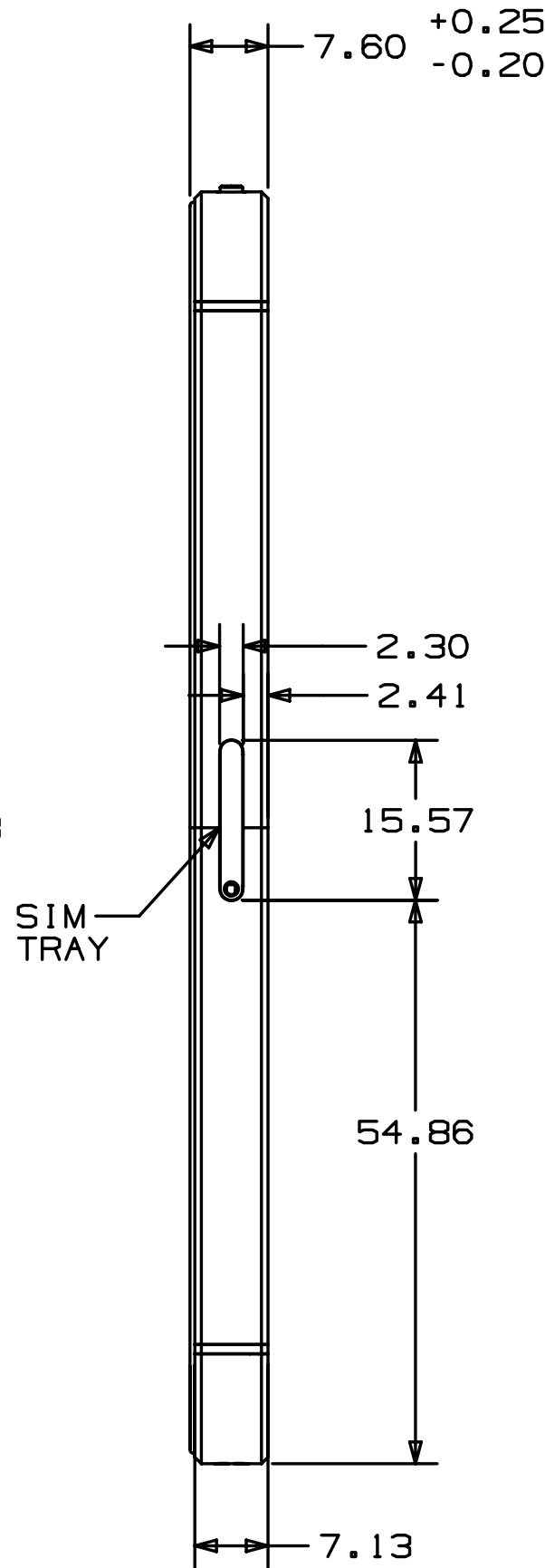
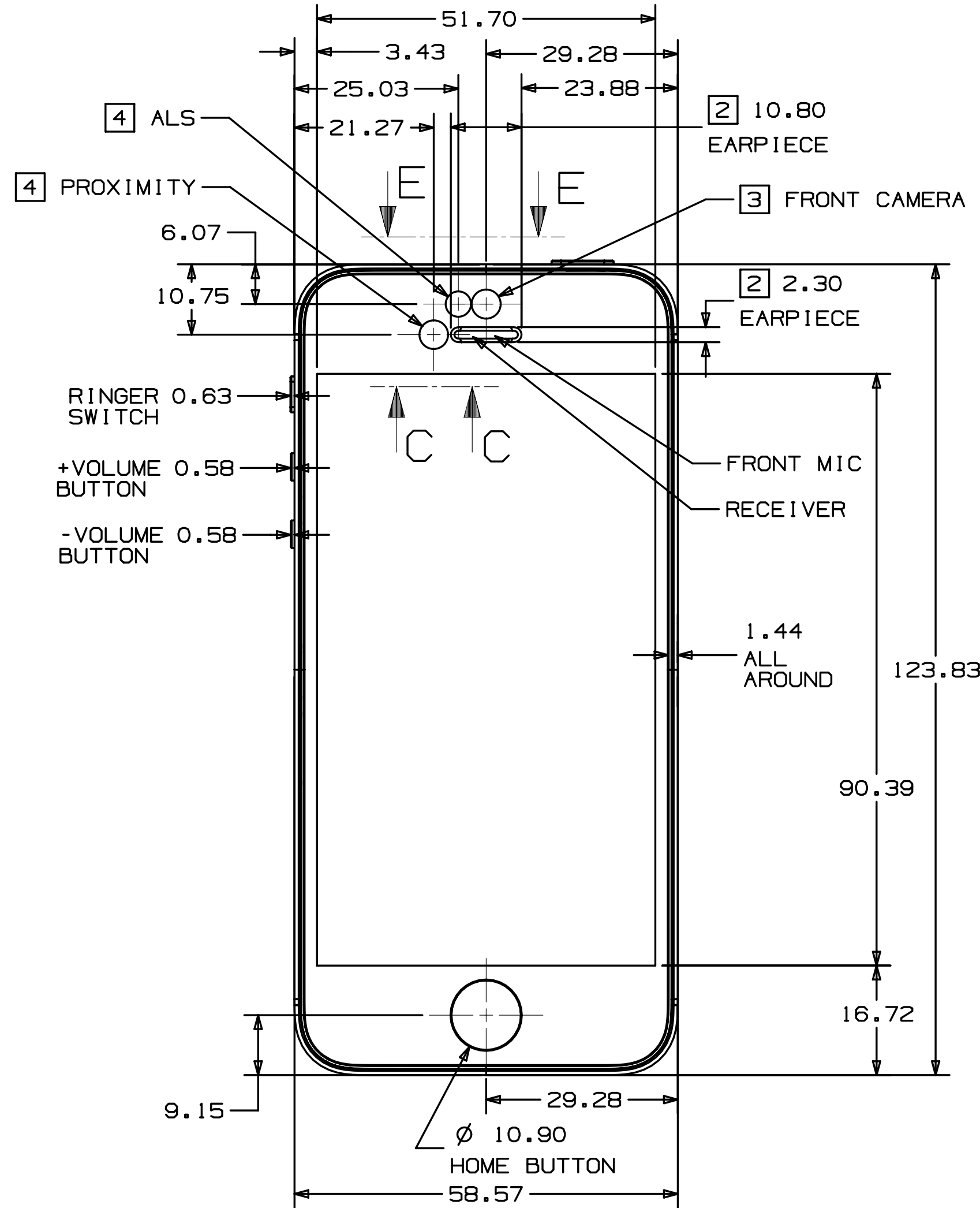
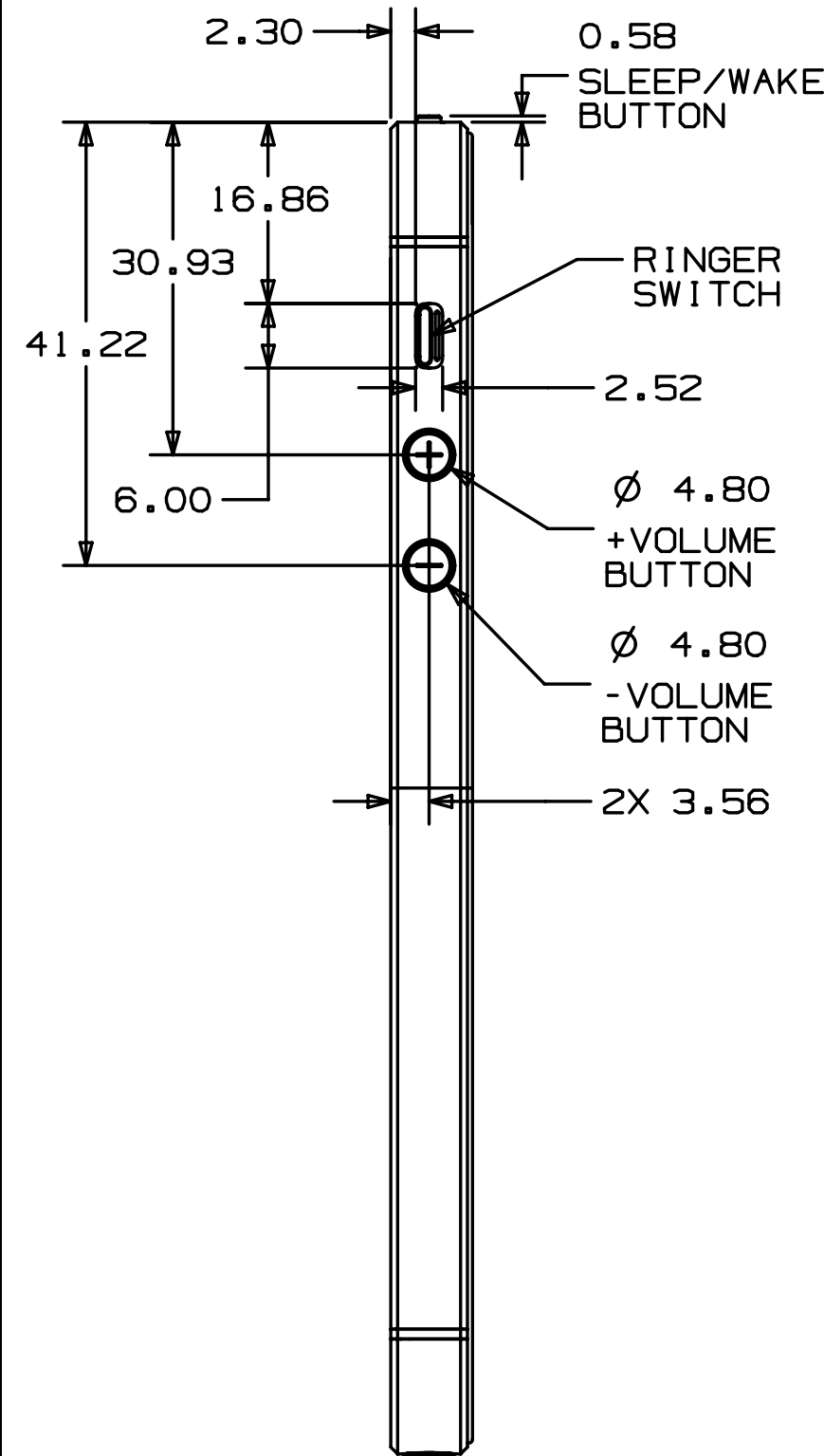
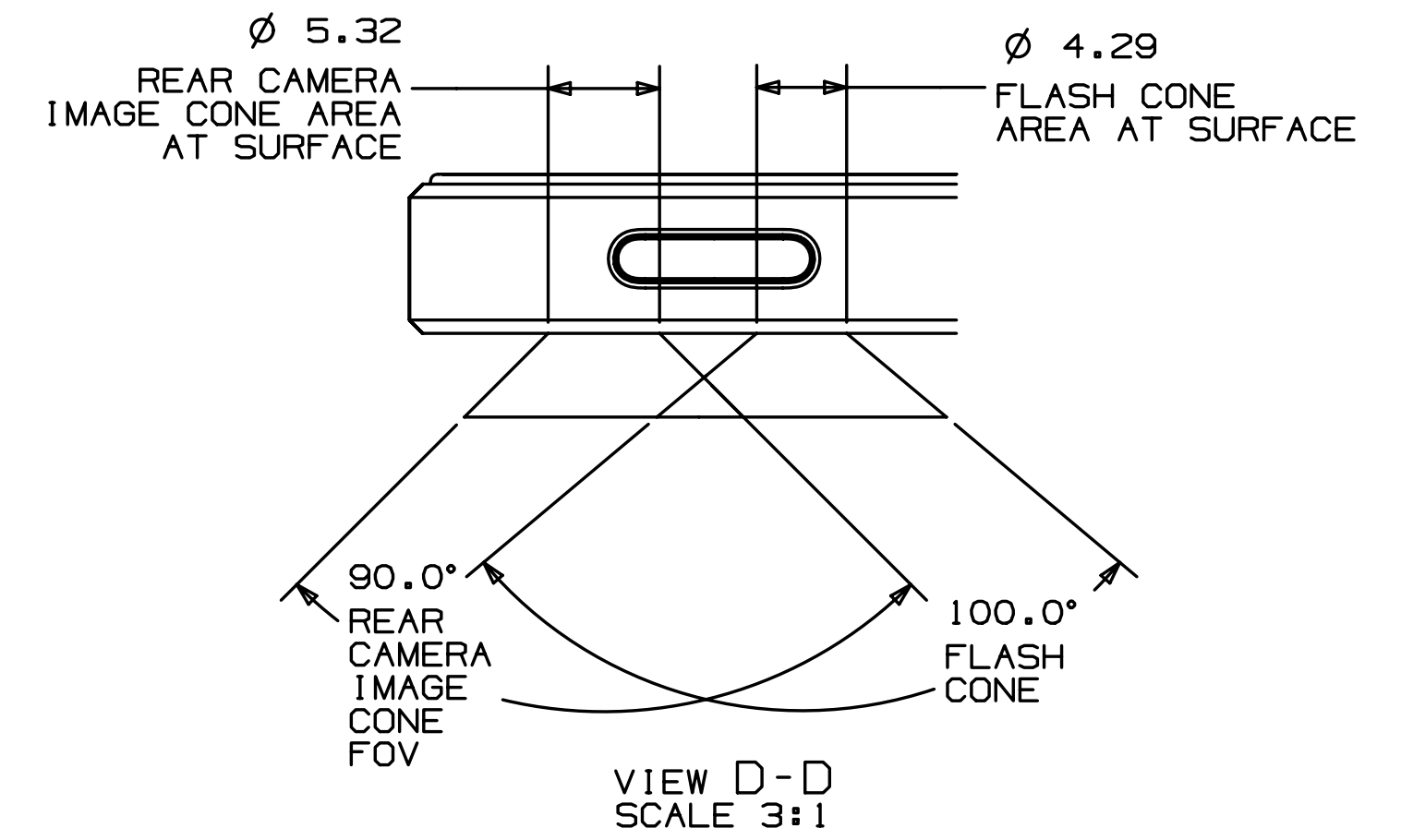
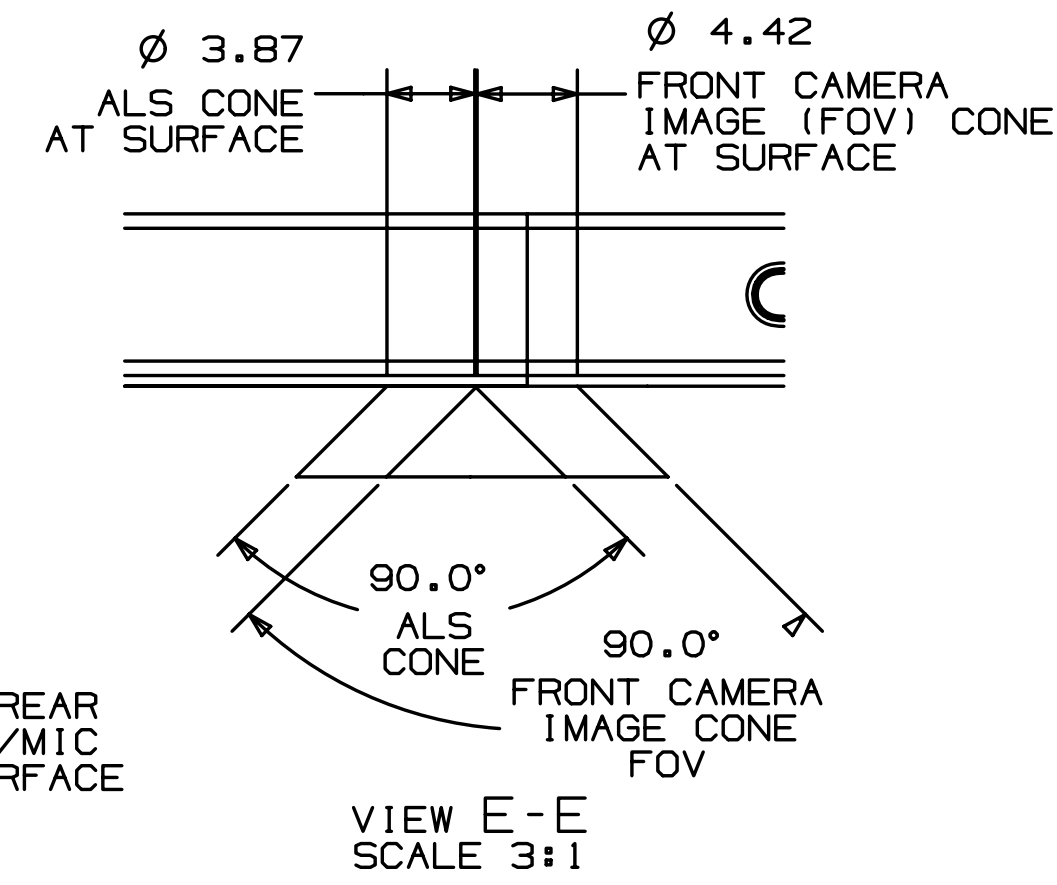


NOTES

- 1 NO METAL CONTACT WITH iPhone 5 METAL.
- 2 DO NOT OBSTRUCT THE ACOUSTIC OPENINGS: FRONT MIC, REAR MIC, EARPIECE, AND SPEAKER.
- 3 DO NOT OBSTRUCT THE IMAGING FEATURES: FRONT CAMERA, REAR CAMERA, REAR FLASH.
- 4 DO NOT OBSTRUCT THE PROXIMITY SENSOR OR ALS (AMBIENT LIGHT SENSOR).



2 3 RECOMMENDED KEEPOUT FOR REAR CAMERA/FLASH/MIC 4.0 ABOVE SURFACE



METRIC		Apple Inc.	
DRAFTER APPLE INC.	DATE 09/12/12	NOTICE OF PROPRIETARY PROPERTY: THE INFORMATION CONTAINED HEREIN IS THE PROPRIETARY PROPERTY OF APPLE INC.	
DESIGNER APPLE INC.	DATE 09/12/12	©2010 APPLE INC. ALL RIGHTS RESERVED. APPLE, THE APPLE LOGO, AND iPhone ARE TRADEMARKS OF APPLE INC., REGISTERED IN THE U.S. AND OTHER COUNTRIES.	
DIMENSIONS ARE IN MILLIMETERS		TITLE IPHONE 5	
TOLERANCES		DRAWING NUMBER	
X.X	±0.4	REV.	
X.XX	±0.20		
X.XXX	±0.100		
ANGLES ±0.5°			
DO NOT SCALE DRAWINGS			
THIRD ANGLE PROJECTION	SCALE NONE	SHT 1 OF 1	