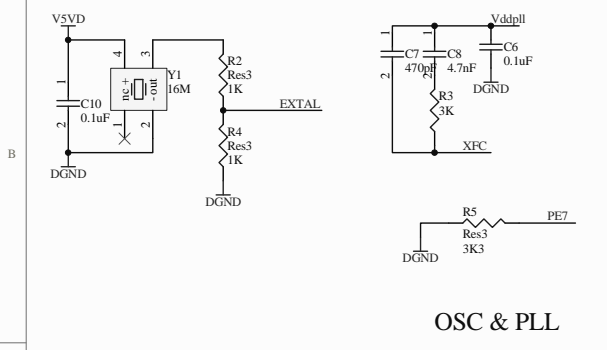
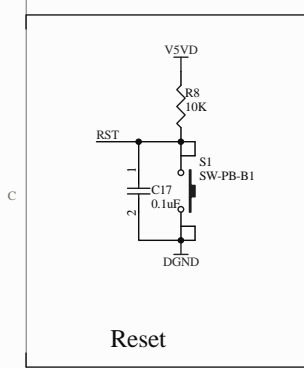


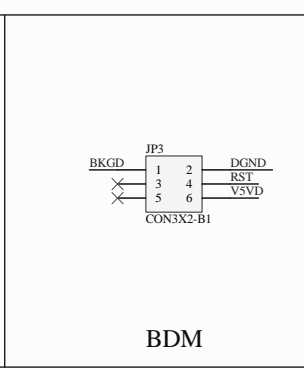
Power



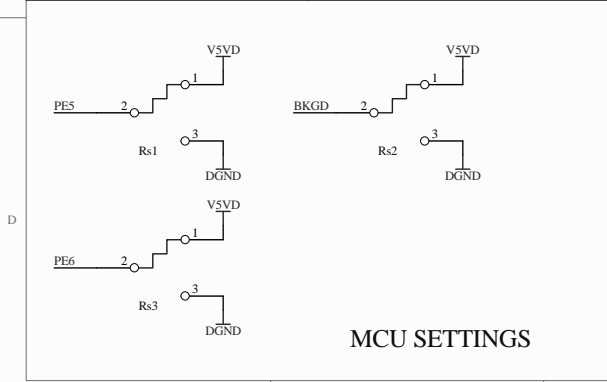
OSC & PLL



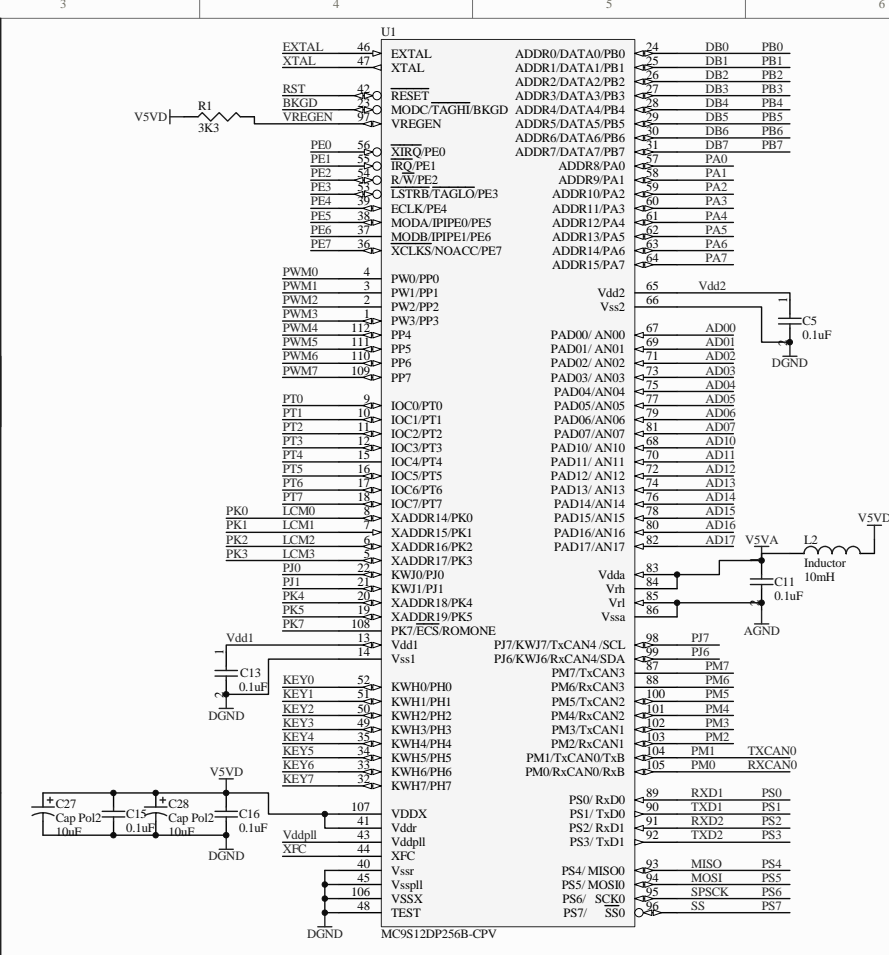
Reset



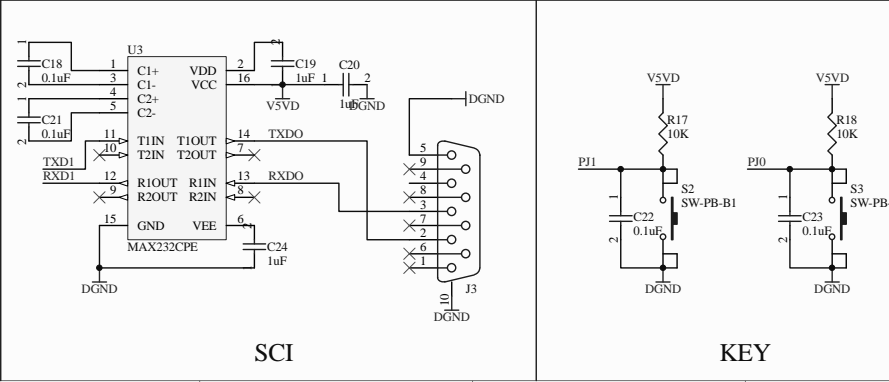
BDM



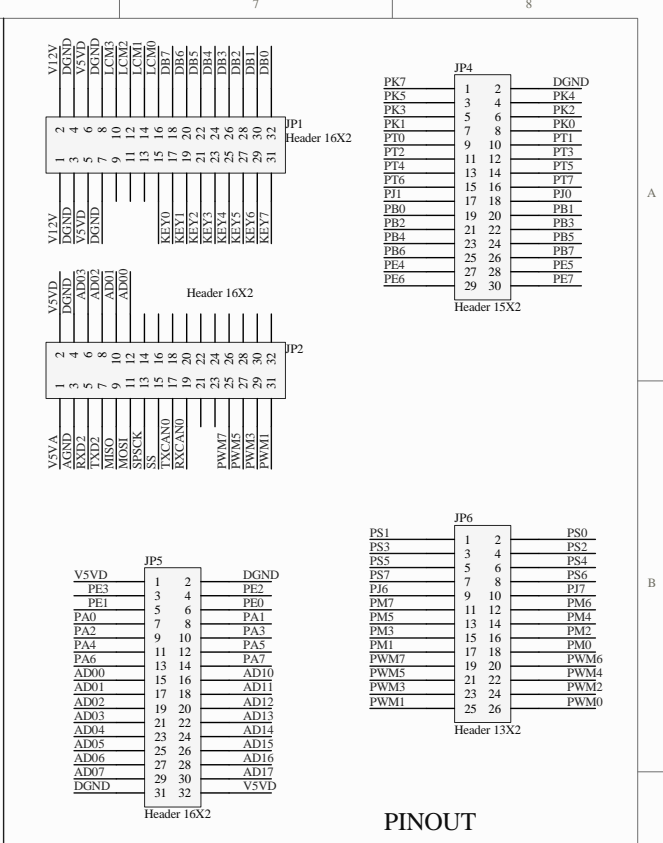
MCU SETTINGS



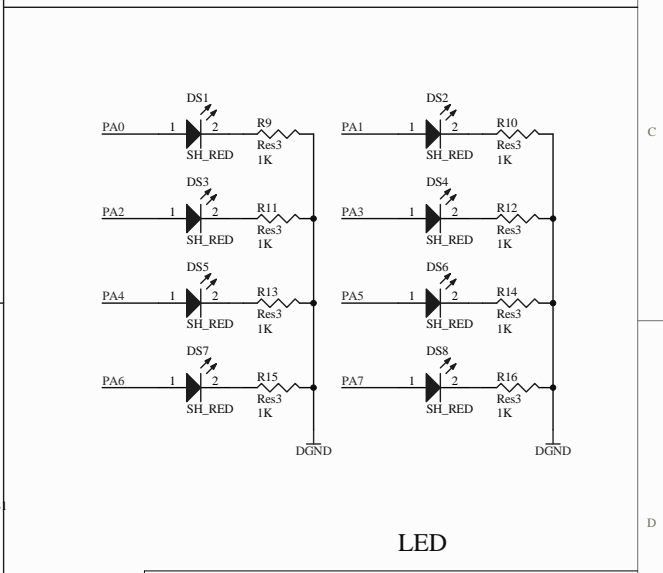
SCI



KEY



PINOUT



LED

Title			S12单片机开发系统		
Size	Number	Revision			
A3	1	1.0			
Date:	2008-10-27	Sheet of	1		
File:	E:\Project\112mb.SchDoc	Drawn By:	BYAE		