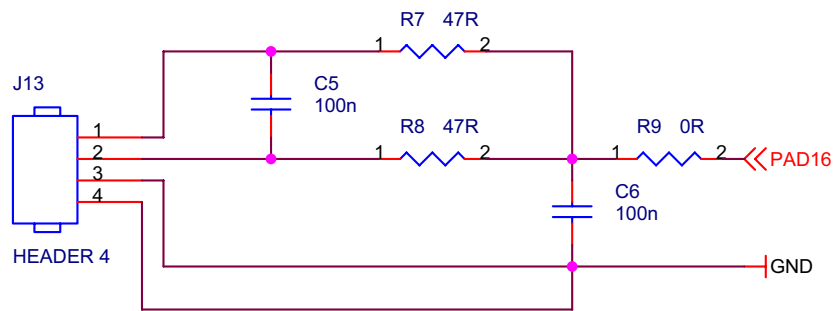
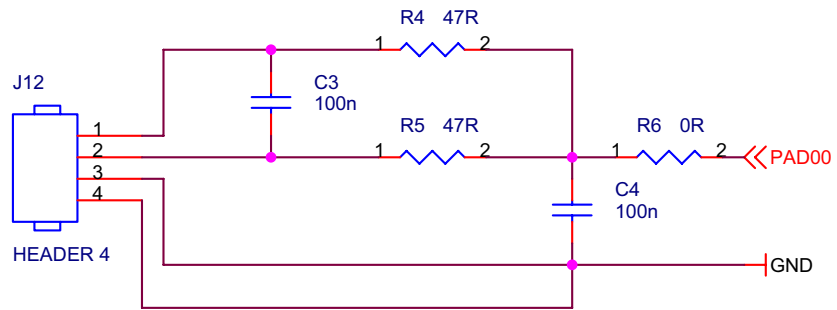
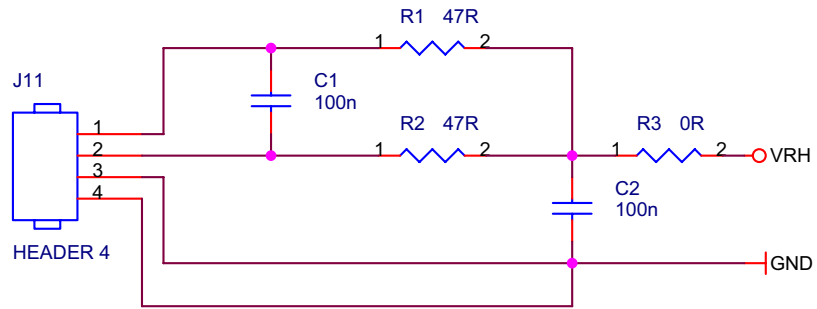
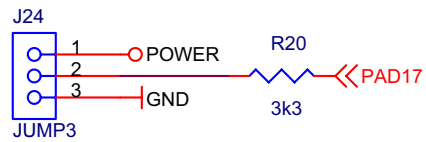
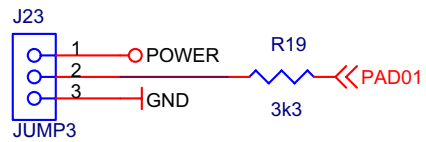
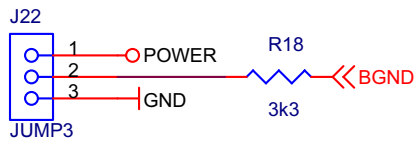
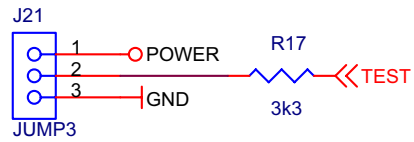
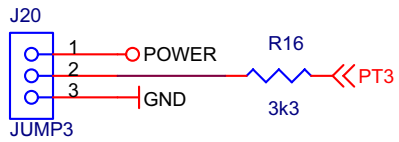
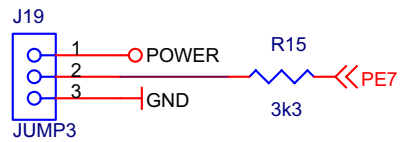
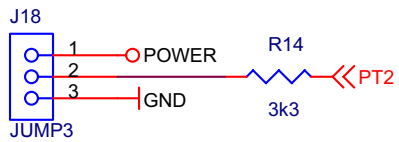
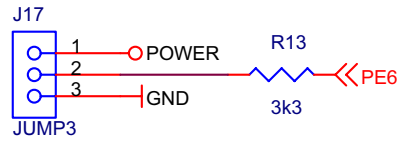
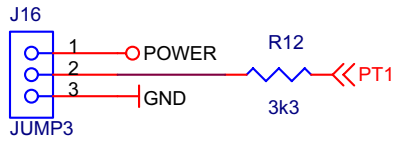
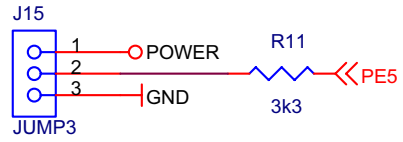
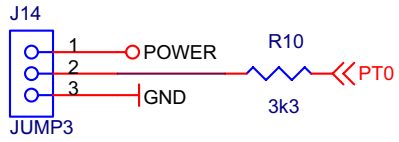


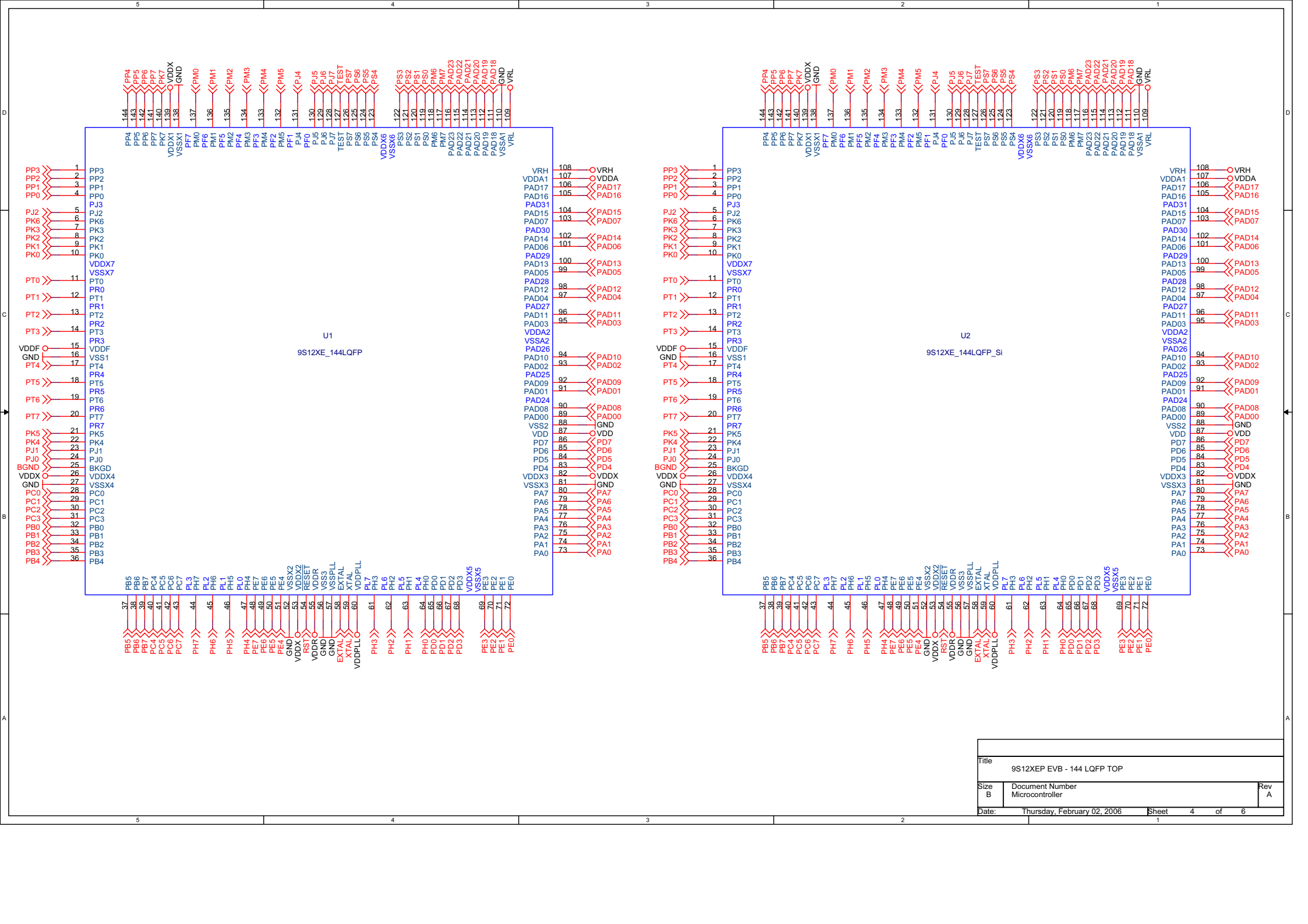
Title		
9S12XEP EVB - 144 LQFP TOP		
Size	Document Number	Rev
B	Connectors	A
Date:	Thursday, February 02, 2006	Sheet 1 of 6



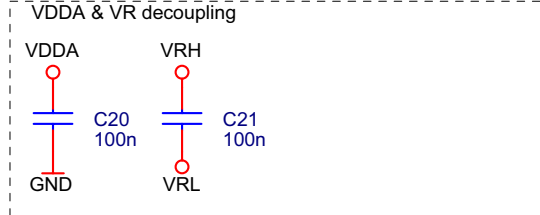
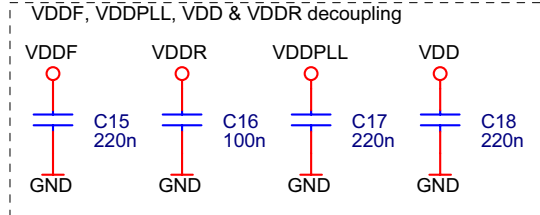
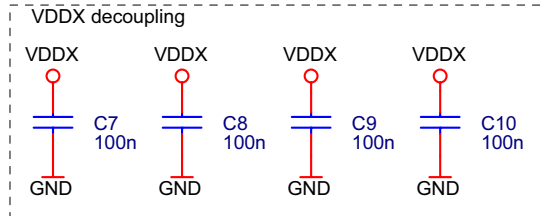
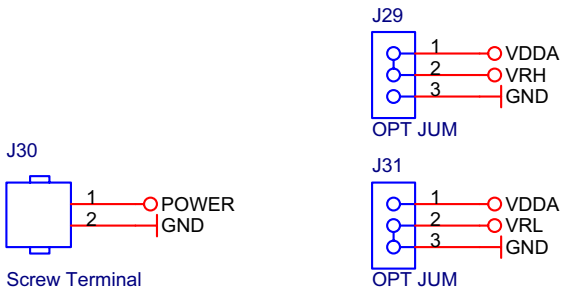
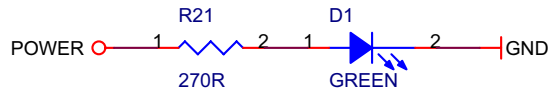
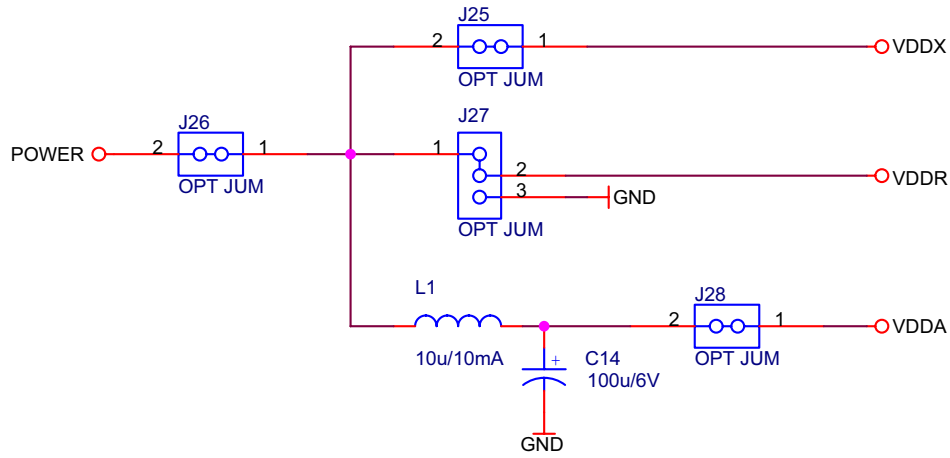
Title		
9S12XEP EVB - 144 LQFP TOP		
Size	Document Number	Rev
A	DAC input filters	A
Date:	Thursday, February 02, 2006	Sheet 2 of 6



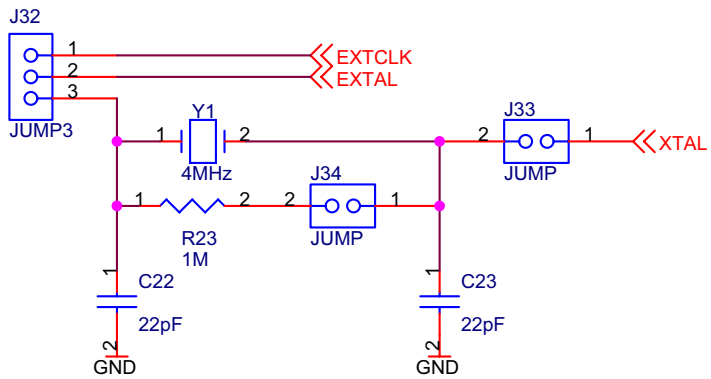
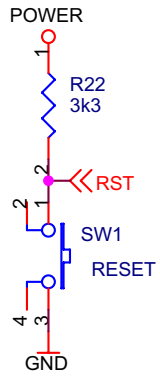
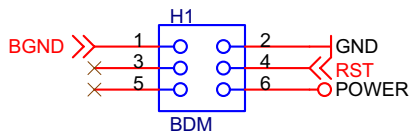
Title		
9S12XEP EVB - 144 LQFP TOP		
Size	Document Number	Rev
A	Jumpers	A
Date:	Thursday, February 02, 2006	Sheet 3 of 6



Title		
9S12XEP EVB - 144 LQFP TOP		
Size B	Document Number	Rev A
Date:		Sheet
Thursday, February 02, 2006		4 of 6



Title		
9S12XEP EVB - 144 LQFP TOP		
Size	Document Number	Rev
A	Power distribution and decoupling	A
Date:	Thursday, February 02, 2006	Sheet 5 of 6
	2	1



Title		
9S12XEP EVB - 144 LQFP TOP		
Size	Document Number	Rev
A	Reset, Oscillator & BDM	A
Date:	Thursday, February 02, 2006	Sheet 6 of 6